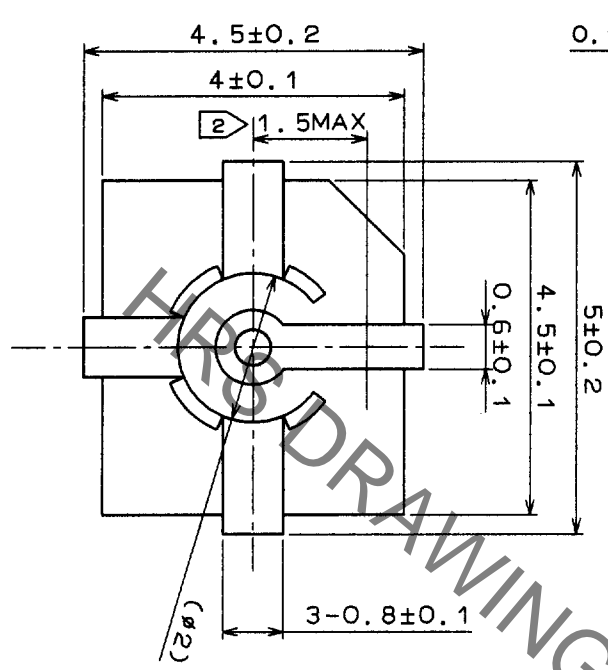
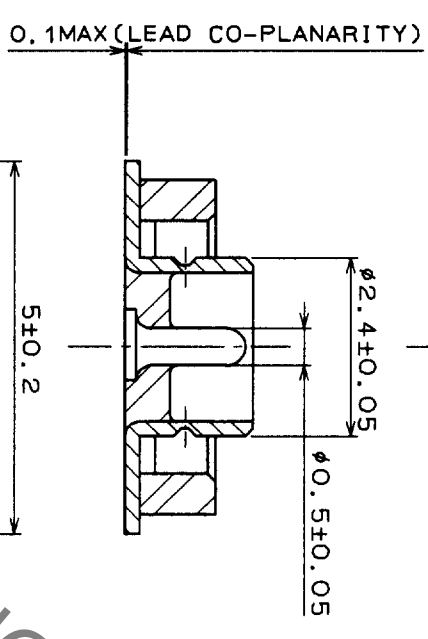
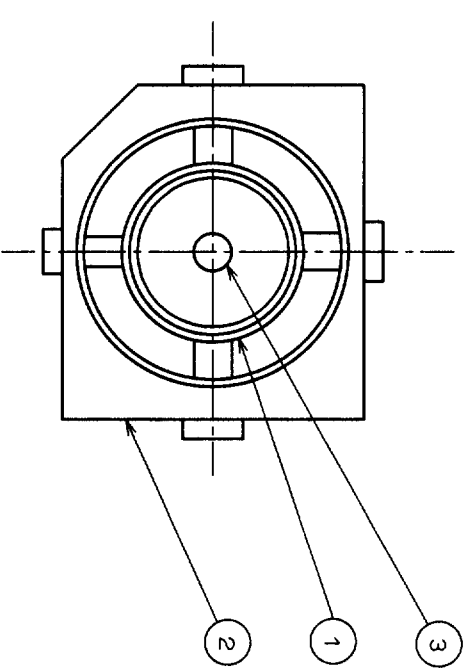
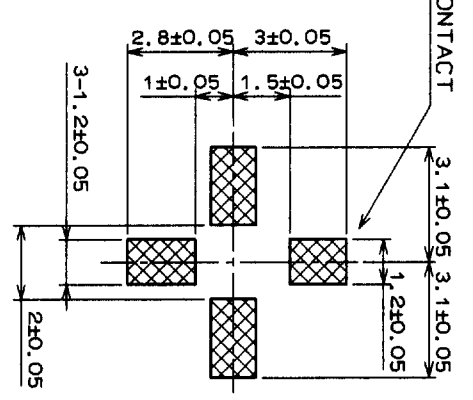


NO.	DESCRIPTION OF REVISIONS	BY	CHKD	DATE	NO.	DESCRIPTION OF REVISIONS	BY	CHKD	DATE
1									
2									
3									
4									
5									
6									
7									
8									



RECOMMENDED PC BOARD
PAD PATTERN (5:1)



FOR CENTER CONTACT

NOTES 1 THE QUANTITY OF H.FL-R-SMT(01) IS 100 CONNECTORS PER PACK.
2 THIS DIMENSION SHOWS THE ALLOWABLE RANGE THAT THE RESIN IS PUT OVER THE CENTER CONTACT.

NO.	MATERIAL	FINISH, REMARKS	NO.	MATERIAL	FINISH, REMARKS
2	LCP	(BLACK) UL94V-0	3	BRASS	GOLD PLATING 0.2μm MIN OVER NICKEL PLATED 1.27μm MIN
1	PHOSPHOR BRONZE	SILVER PLATING 2μm MIN			

CODE NO. (OLD)	DRAWN	DESIGNED	CHECKED	APPROVED	RELEASED
	J. Okawa	N. Niinomiya	J. Matsuda	K. Kobayashi	
	97.4.9	97.4.9	97.4.10	97.4.15	

DRAWING NO.	PART NO.
EDC3-046538-01	H.FL-R-SMT(01)

SCALE	UNITS	CODE NO.
10:1	mm	CL331-0521-6-01

TO	RF	USA
----	----	-----

Mouser Electronics

Authorized Distributor

Click to View Pricing, Inventory, Delivery & Lifecycle Information:

[Hirose Electric:](#)

[H.FL-R-SMT\(01\)](#)