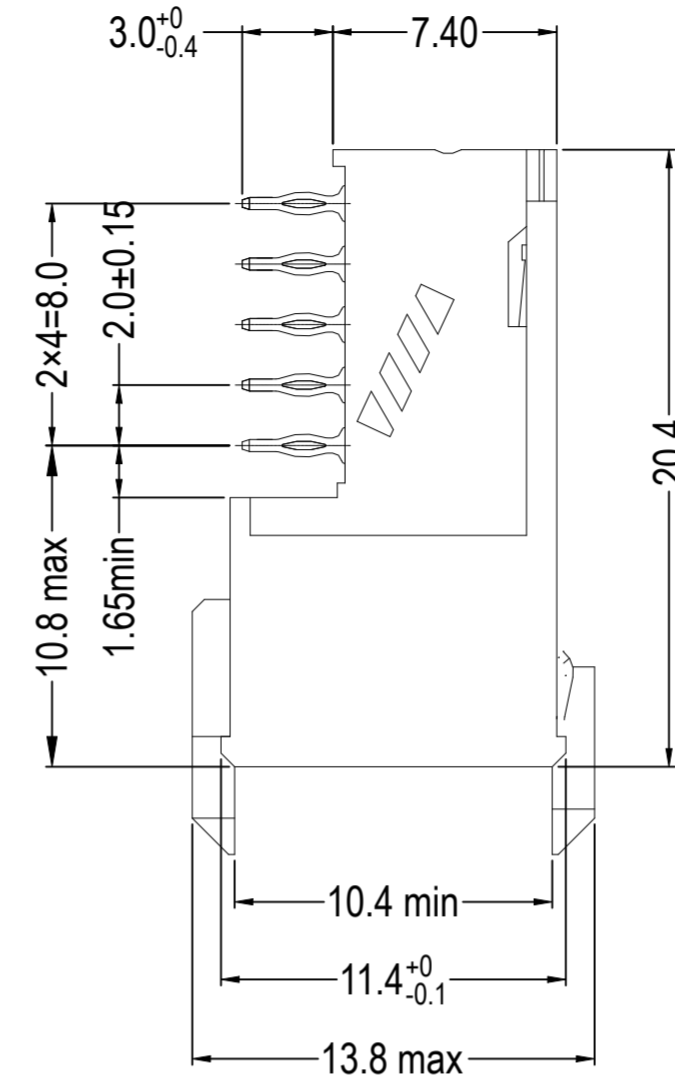
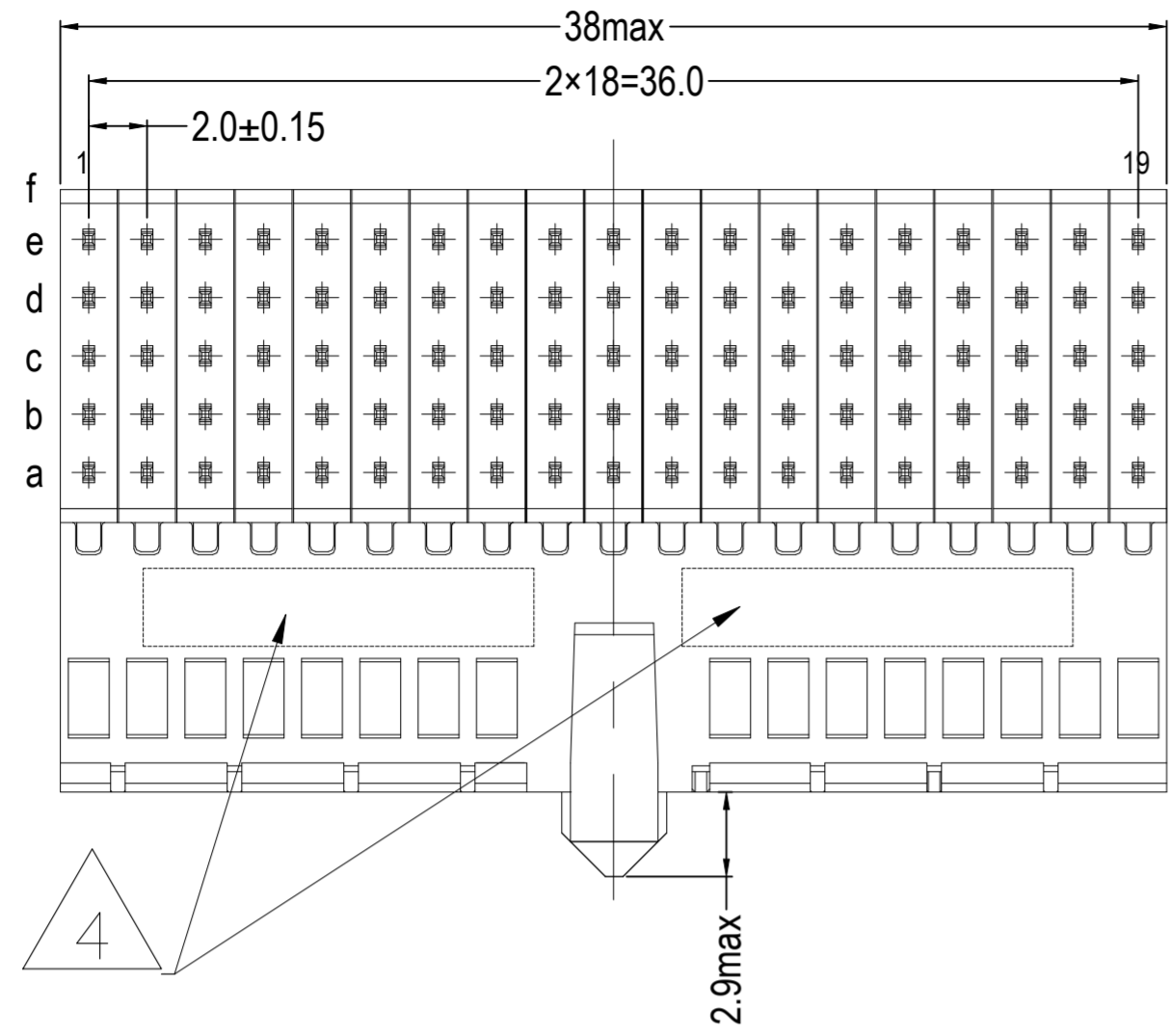
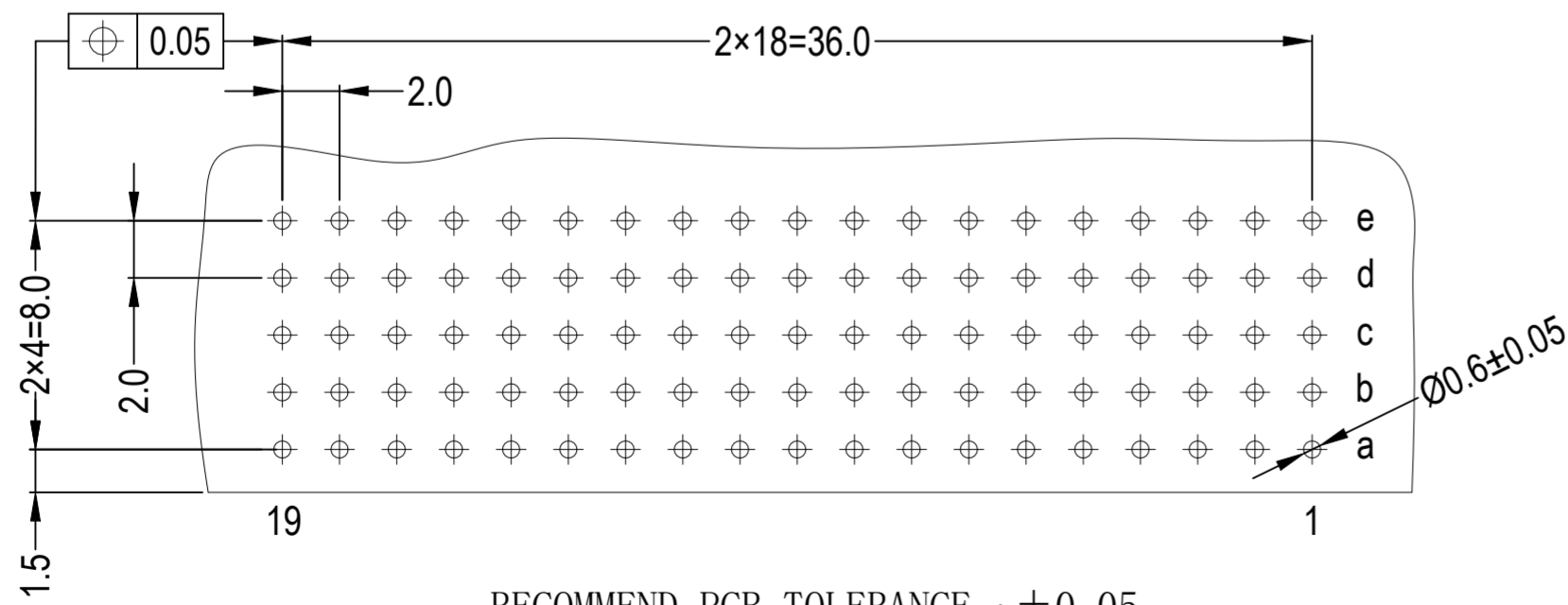
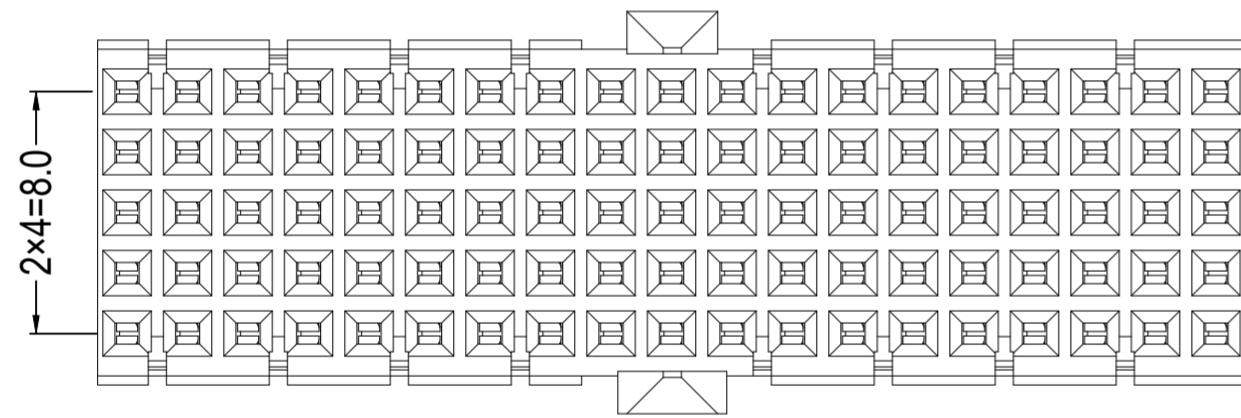


REVISIONS					
P	LTR	DESCRIPTION	DATE	DWN	APVD
A		INITIAL DRAWING	18OCT2021	TL	HL



NOTES:

- ⚠ MATERIAL CONTACTS; COPPER ALLOY
- ⚠ MATERIAL HOUSING; GLASSFILLED POLYESTER
- ⚠ GENERAL PLATING SPECIFICATION: UNDERPLATING (ENTIRE CONTACT): 1,27µm NICKEL MIN. AND EON PIN: 0,5µm TIN MIN. FOR PLATING OF MATING SURFACES SEE APPLICABLE SPECIFICATION REFERENCE FOR EACH DASH NUMBER.
- ⚠ CONFORMS TO ALL TESTING ACCORDING IEC 61076-4-101 PERFORMANCE LEVEL 2.
- ⚠ ASSEMBLY PRINTED WITH P/N AND DATECODE



RECOMMEND PCB TOLERANCE : ±0.05

FINISH		MATERIAL		PART NUMBER	
23		↑		2392920-1	
THIS DRAWING IS A CONTROLLED DOCUMENT.				TE Connectivity Ltd.	
DWN TONY LI 28MAY2021		NAME		Z-PACK 2mm HM	
CHK ALEX XU 28MAY2021		PRODUCT SPEC		TYPE A/B - 19 COLUMNS	
APVD HOPE LU 28MAY2021		APPLICATION SPEC		RECEPTACLE ,EON	
PRODUCT SPEC 108-19082		SIZE A2		DRAWING NO C=2392920	
APPLICATION SPEC 114-160149		CAGE CODE 00779		RESTRICTED TO -	
WEIGHT 0		SCALE 5:1		SHEET 1 of 1	
CUSTOMER DRAWING		REV A			

Mouser Electronics

Authorized Distributor

Click to View Pricing, Inventory, Delivery & Lifecycle Information:

[TE Connectivity:](#)

[2392920-1](#)