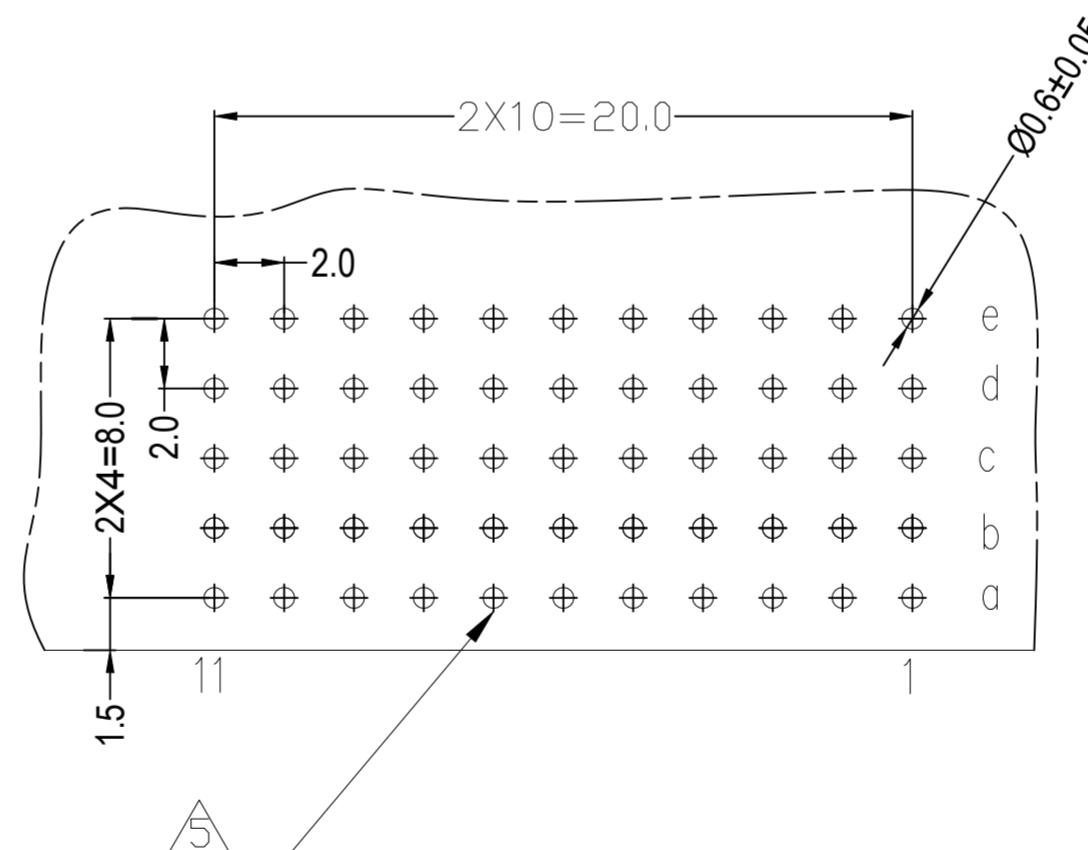
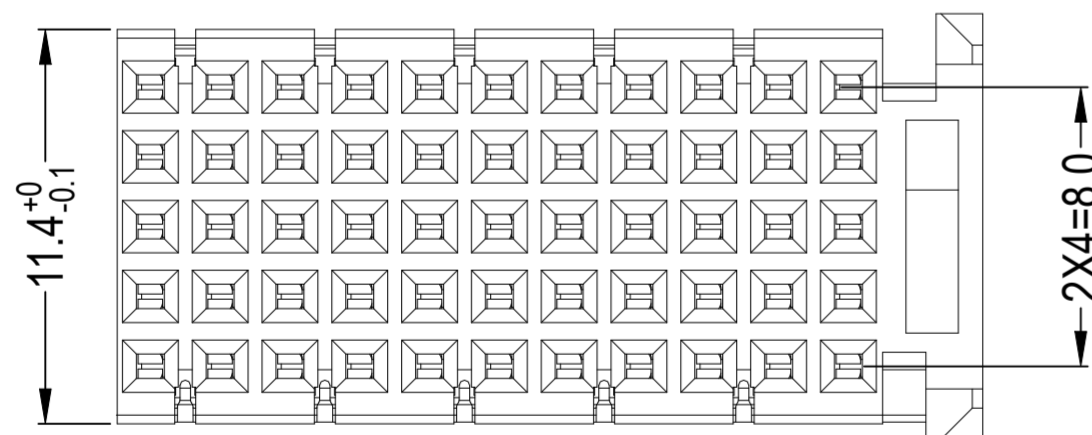
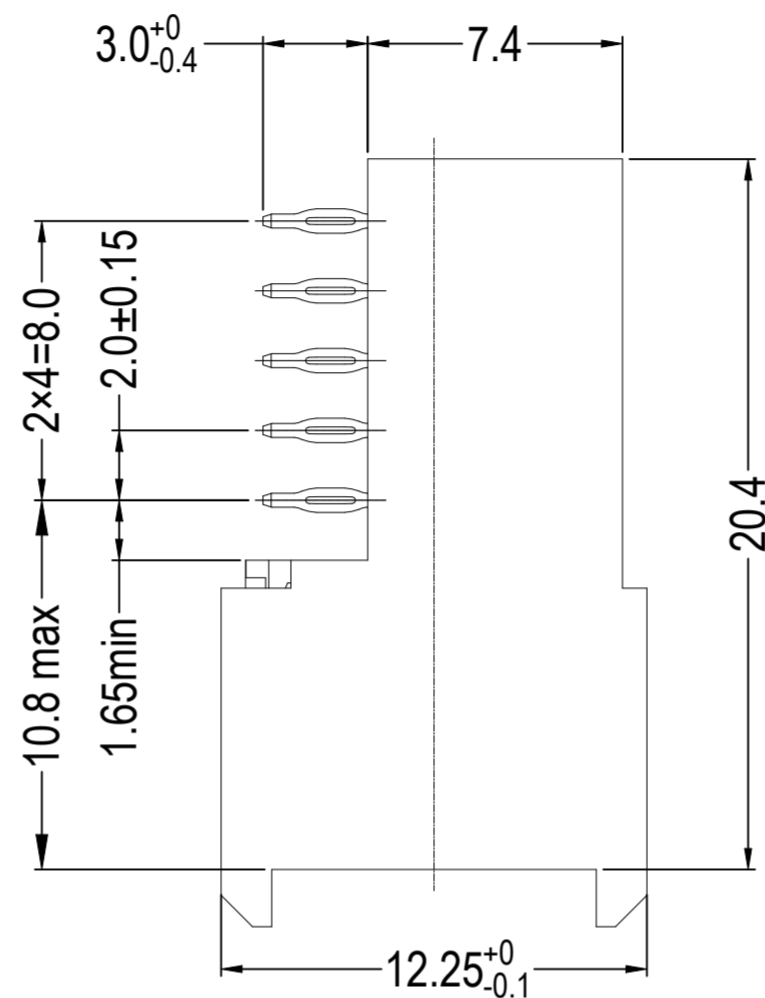
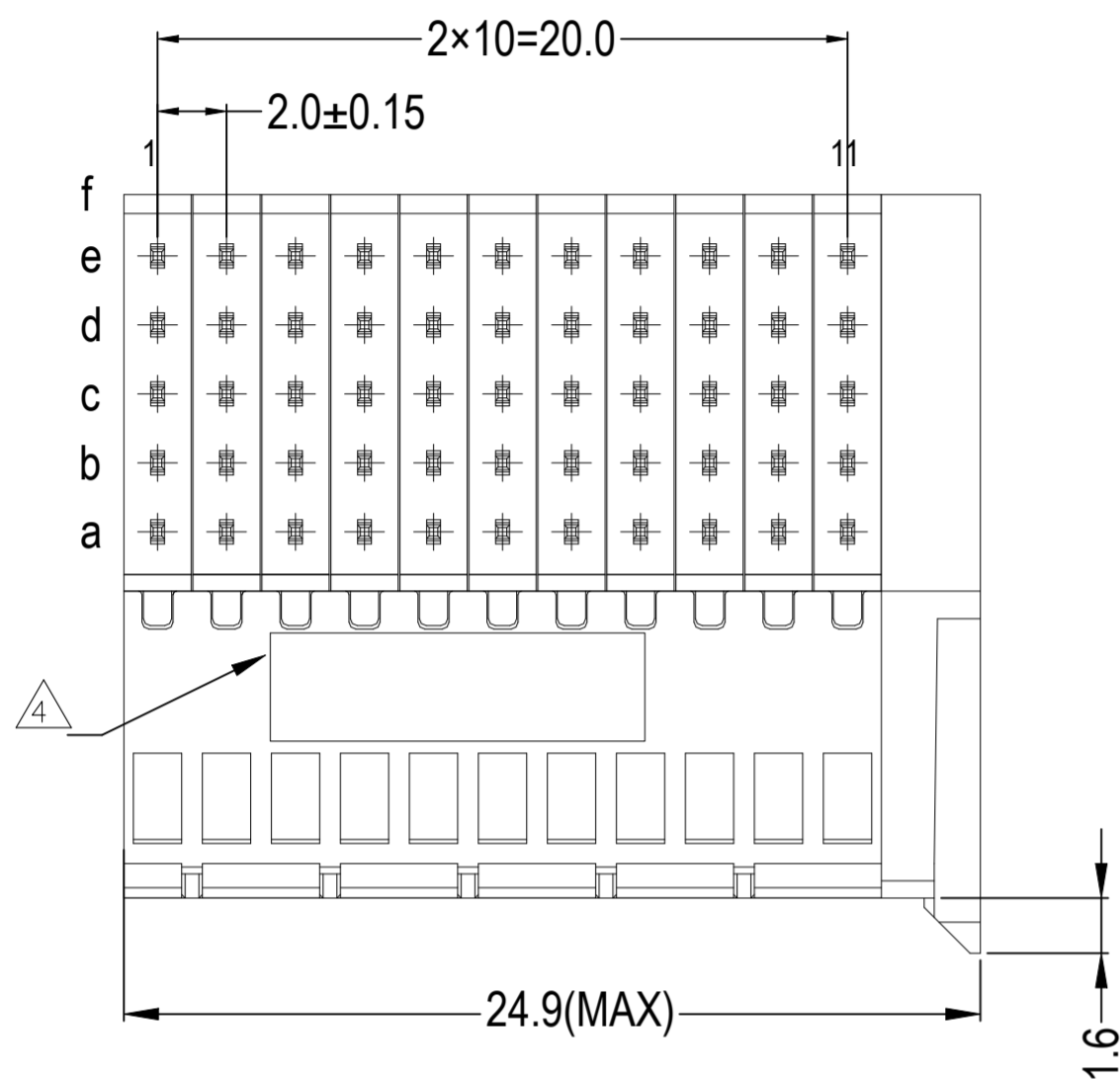


REVISIONS					
P	LTR	DESCRIPTION	DATE	DWN	APVD
A		INITIAL RELEASE	15OCT2021	TL	HL

NOTES:

- 1 MATERIAL:
CONTACTS : COPPER ALLOY
HOUSING: GLASSFILLED POLYESTER,COLOR NATURAL,UL94V-0
- 2 GENERAL PLATING SPECIFICATION: UNDERPLATING (ENTIRE CONTACT):
1,27µm NICKEL MIN. AND EDN PIN: 0,5µm TIN MIN.
FOR PLATING OF MATING SURFACES SEE APPLICABLE SPECIFICATION REFERENCE FOR EACH DASH NUMBER.
- 3 CONFORMS TO ALL TESTING ACCORDING IEC 61076-4-101 PERFORMANCE LEVEL 2.
- 4 ASSEMBLY PRINTED WITH P/N AND DATECODE
- 5 HOLE PATTERN FOR FEMALE CONNECTOR
PLATED-THROUGH HOLES AT 2x2mm SQUARE GRID



2/3	1	2389274-1
FINISH	MATERIAL	PART NUMBER

RECOMMEND PCB-HOLE LAYOUT
TOLERANCE ±0.05

THIS DRAWING IS A CONTROLLED DOCUMENT.		DWN TONY LI 26MAR2021	TE Connectivity Ltd.	
DIMENSIONS: mm		CHK ALEX SHOAL 26MAR2021		
TOLERANCES UNLESS OTHERWISE SPECIFIED:		APVD HOPE LU 26MAR2021	NAME Z PACK 2mm HM TYPE C, R/A , RECEPTACLE	
0 PLC ± -		PRODUCT SPEC 108-19082	SIZE A2	
1 PLC ± 0.2		APPLICATION SPEC 114-160149	CAGE CODE 00779	DRAWING NO C=2389274
2 PLC ± 0.2		WEIGHT 0	RESTRICTED TO -	
3 PLC ± 0.2		CUSTOMER DRAWING	SCALE 4:1	SHEET 1 of 1
4 PLC ± -			REV A	
ANGLES ± -				
FINISH				

Mouser Electronics

Authorized Distributor

Click to View Pricing, Inventory, Delivery & Lifecycle Information:

[TE Connectivity:](#)

[2389274-1](#)