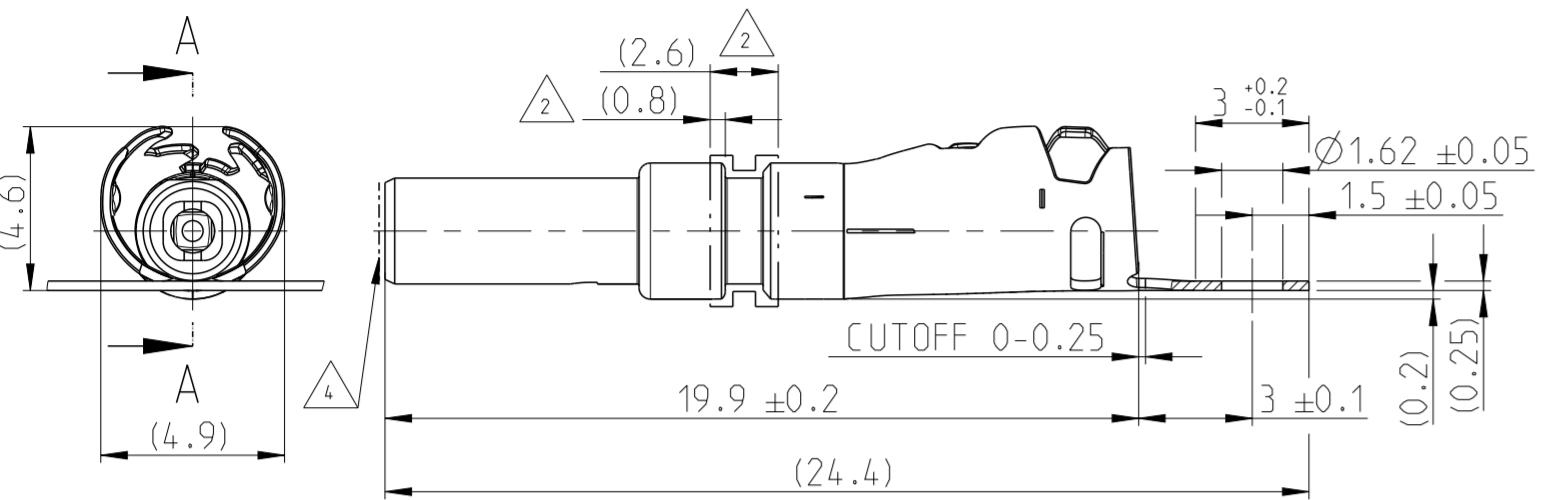


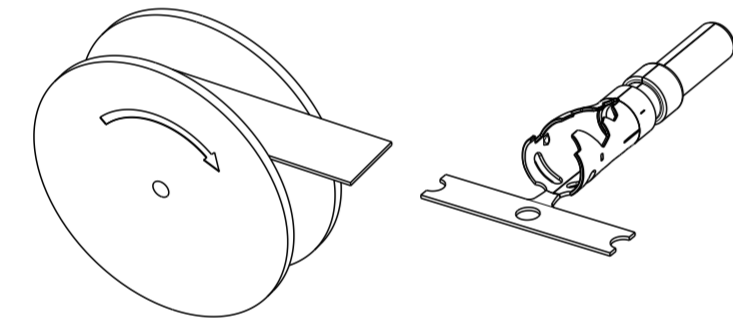
THIS DRAWING IS UNPUBLISHED. RELEASED FOR PUBLICATION
 © COPYRIGHT 2017 BY TE Connectivity Germany GmbH ALL RIGHTS RESERVED.

1 SUBASSEMBLY PIN CONTACT
 Subassembly Stiftkontakt

SECTION A-A



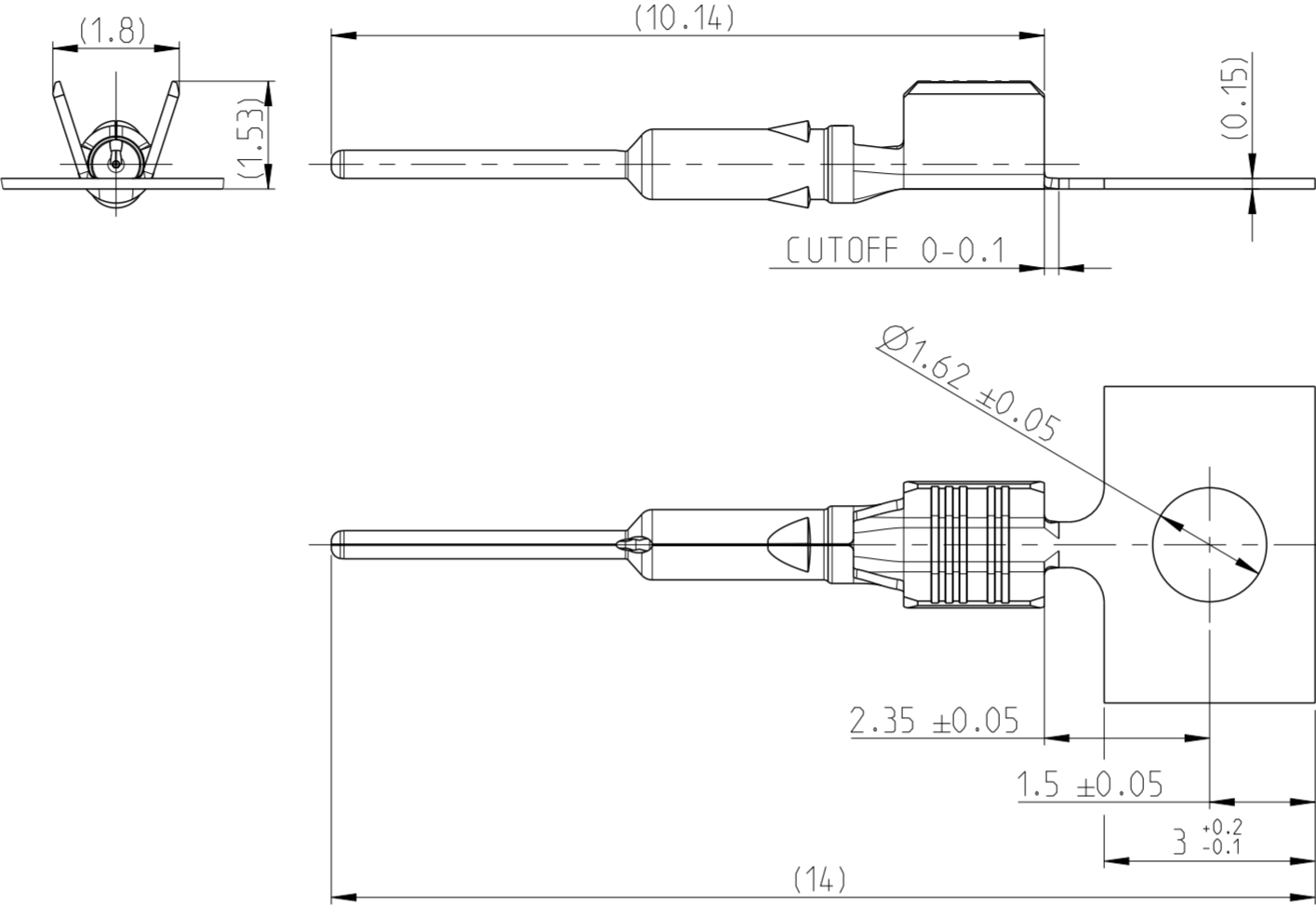
UNWINDING DIRECTION
 2:1



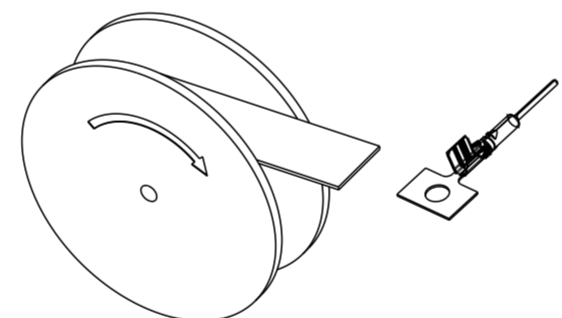
DIE FEED 15mm±0.05

2 PIN CENTER CONTACT
 Innenleiter Stiftkontakt

10:1



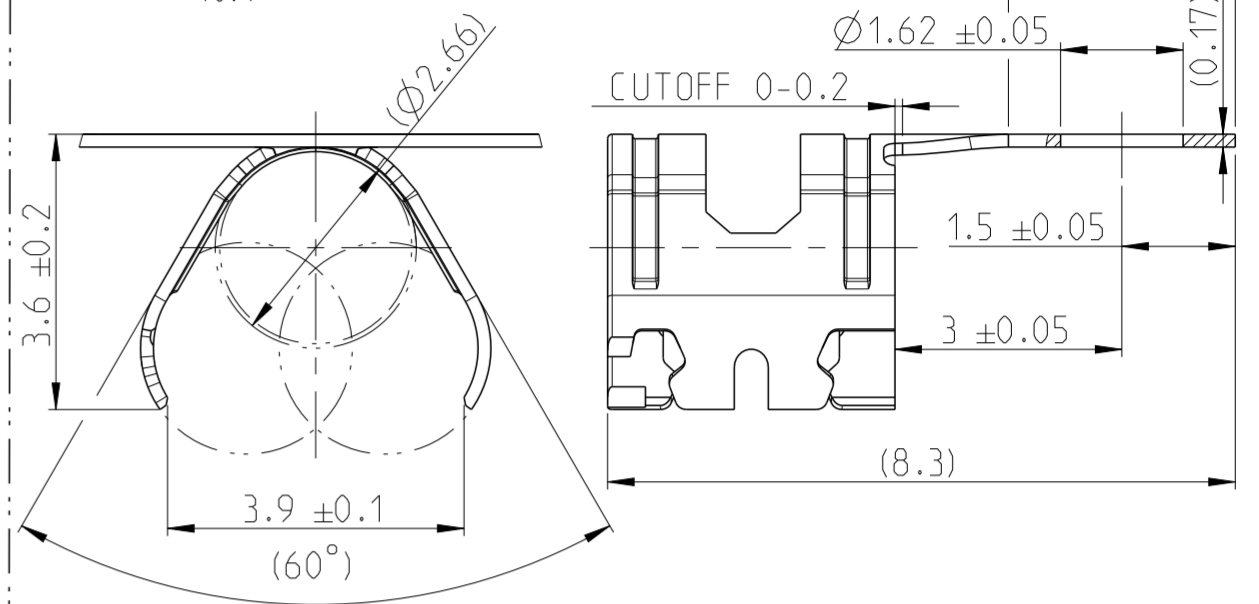
UNWINDING DIRECTION
 2:1



DIE FEED 4.5mm±0.05

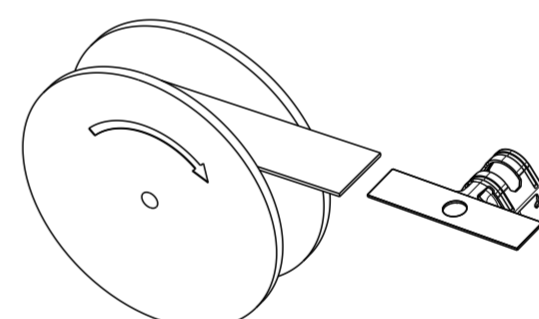
3 FERRULE
 Stuetzhuelse

10:1

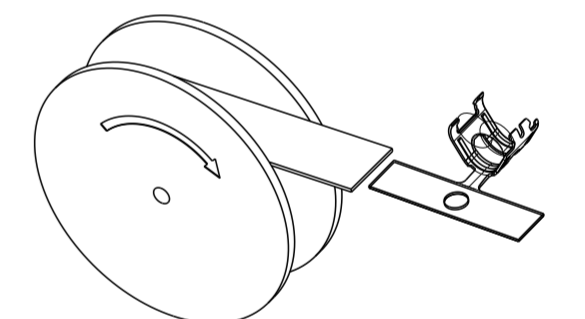


UNWINDING DIRECTION
 2:1

2298126-1



A1
 2298126-2



DIE FEED 12mm±0.05

NOTES
 Bemerkungen

- 1 WEIGHT WITHOUT CARRIER STRIP
 Gewicht ohne Traegerstreifen
- 2 CONTACT KIT PART NUMBER FOR REFERENCE ONLY
 Komponentensatz Teilenummer nur zur Referenz
 Komponenten sind einzeln zu bestellen
- 3 ALLOWED AREA FOR CONTACT GRIPPING
 FOR CABLE TERMINATION
 Zulaessiger Bereich zum Greifen des
 Kontaktes bei der Kabelverarbeitung
- 4 DURING THE PROCESING. THE CONTACT
 MAY BE LOADED WITH MAX. 35N IN AXIAL DIRECTION
 Bei der Verarbeitung darf der Kontakt an
 gezeigter Stelle axial mit max. 35N belastet werden
- 5 ALTERNATIVE 2298126-2 (=2298126-1 IN OPPOSITE REELING DIRECTION)
 Alternativ 2298126-2 (=2298126-1 in entgegengesetzter Wickelrichtung)

CONTACT KIT PART NUMBER	PIECE STUECK	PART No	REV	DESCRIPTION Benennung	MATERIAL Werkstoff	SURFACE Oberflaeche	WEIGHT (g)	ITEM Pos.
2298490-1	1	2298126-1	C	FERRULE,RTK031 Stuetzhuelse,RTK031	STAINLESS STEEL	PLAIN Blank	0.035	3
	1	2298125-1	A	PIN CENTER CONTACT,RTK031 Innenleiter Stiftkontakt,RTK031	CuSn	Ag	0.026	2
	1	2298123-1	A	SUBASSEMBLY, RTK031 PIN CONTACT	CuSn PBT	Sn Green RAL 6018 Similar	0.54	1

THIS DRAWING IS A CONTROLLED DOCUMENT.

DWN: K.Weinberger 03APR2017
 CHK: S.Aboukassem 16MAY2017
 APVD: C.Schrettlinger 28JUN2017

TE Connectivity

MATE-AX 180DEG PIN CONTACT, ASSY
 MATE-AX 180Grad Stiftkontakt, Assy
 CABLE RTK031

108-94515
 114-94413

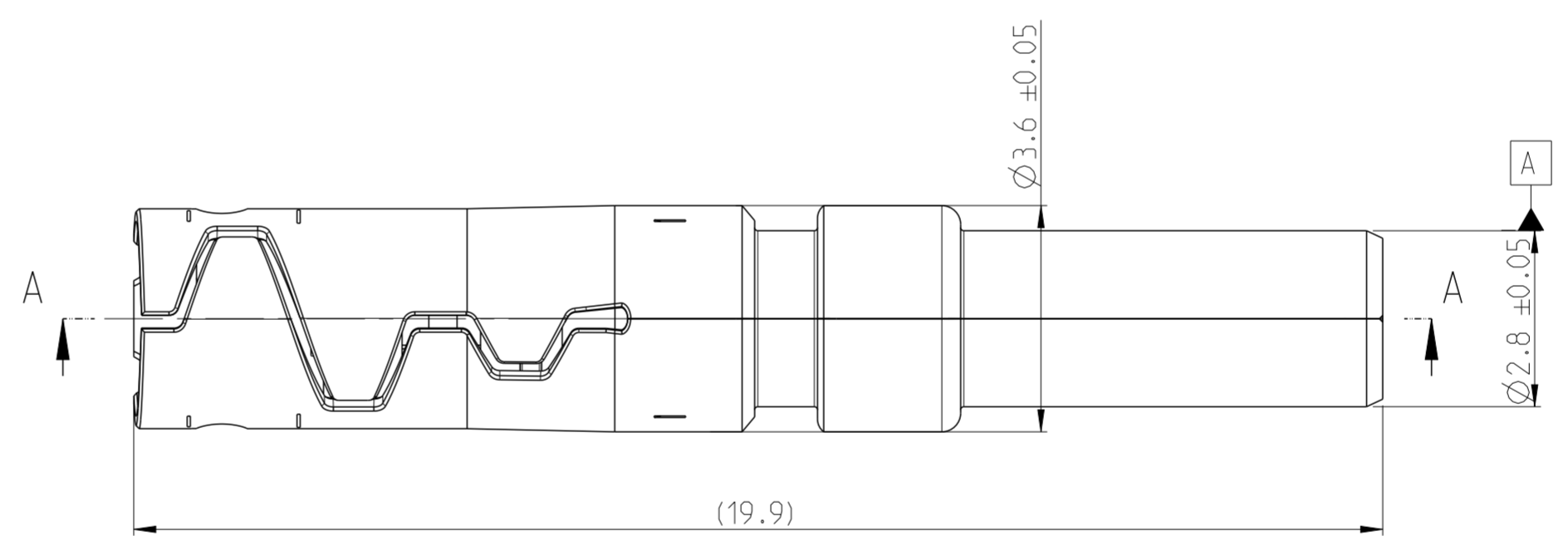
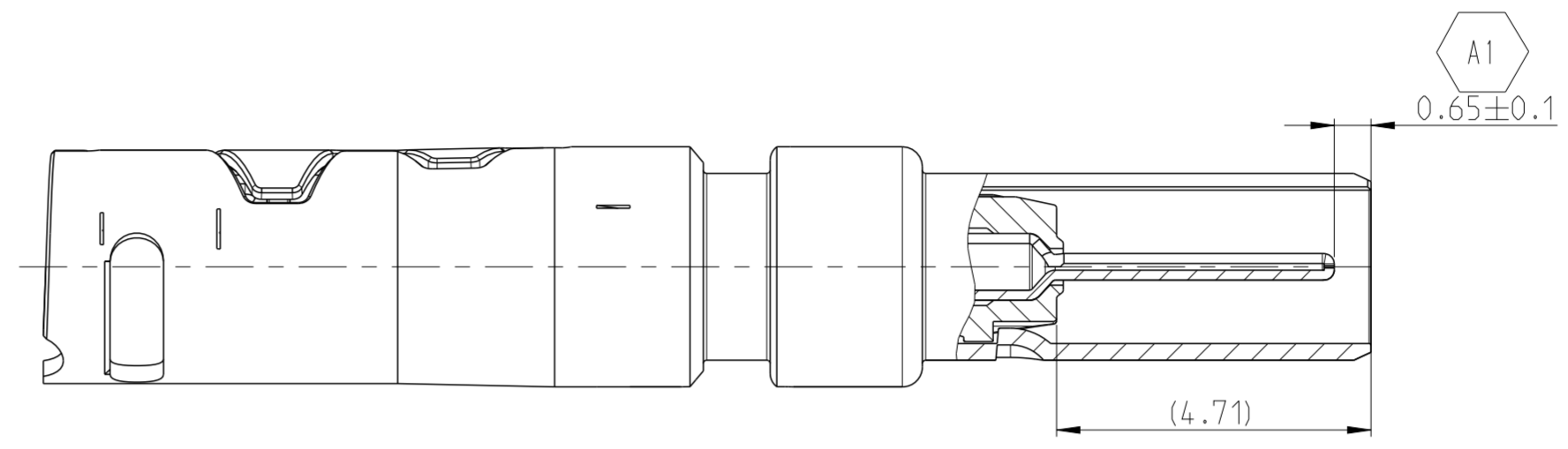
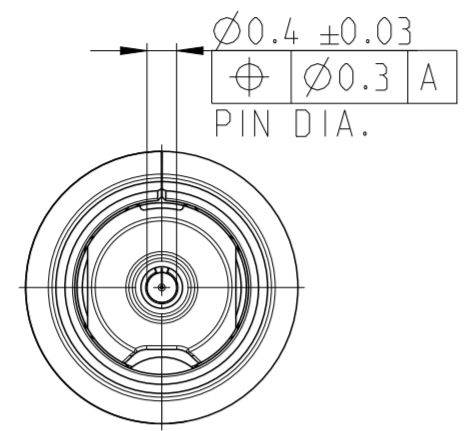
SIZE: A2
 CAGE CODE: 00779
 DRAWING NO: C-2298490

RESTRICTED TO: -
 SCALE: 5:1
 SHEET: 1 OF 2
 REV: A2

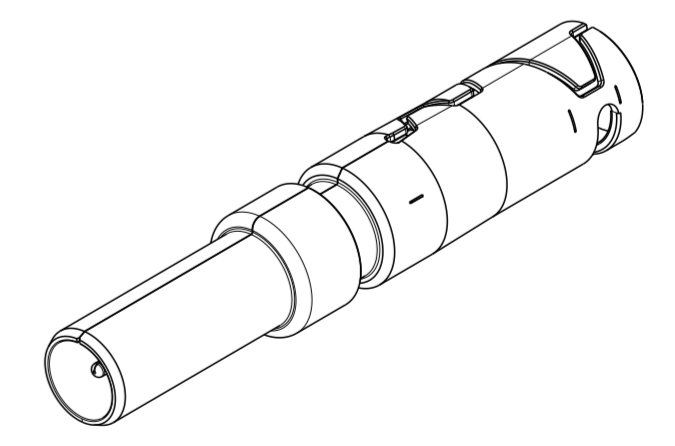
THIS DRAWING IS UNPUBLISHED
 RELEASED FOR PUBLICATION
 © COPYRIGHT 2017 BY TE Connectivity Germany GmbH ALL RIGHTS RESERVED.

REVISIONS					
P	LTR	DESCRIPTION	DATE	DWN	APVD
-		SEE SHEET 1	-	-	-

SECTION A-A



5:1



THIS DRAWING IS A CONTROLLED DOCUMENT.		DWN K.Weinberger 03APR2017	TE Connectivity	
DIMENSIONS: mm		CHK S.Aboukassem 16MAY2017		
TOLERANCES UNLESS OTHERWISE SPECIFIED:		APVD C.Schrettinger 28JUN2017	NAME MATE-AX 180DEG PIN CONTACT, ASSY MATE-AX 180Grad Stiftkontakt, Assy CABLE RTK031	
0 PLC ±0.2 1 PLC ±0.1 2 PLC ±0.1 3 PLC ± 4 PLC ± ANGLES ±1° FINISH		PRODUCT SPEC 108-94515	SIZE A2	CAGE CODE 00779
MATERIAL		APPLICATION SPEC 114-94413	DRAWING NO C-2298490	RESTRICTED TO
		WEIGHT	SCALE 5:1 SHEET 2 OF 2 REV A2	
		CUSTOMER DRAWING		

Mouser Electronics

Authorized Distributor

Click to View Pricing, Inventory, Delivery & Lifecycle Information:

[TE Connectivity:](#)

[2298126-1](#) [2298126-2](#)