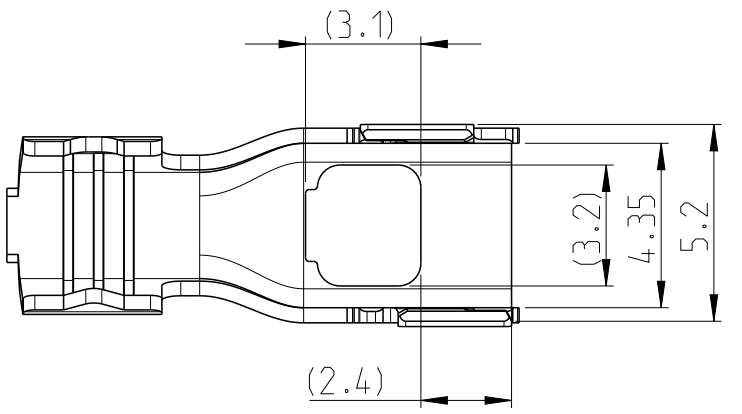
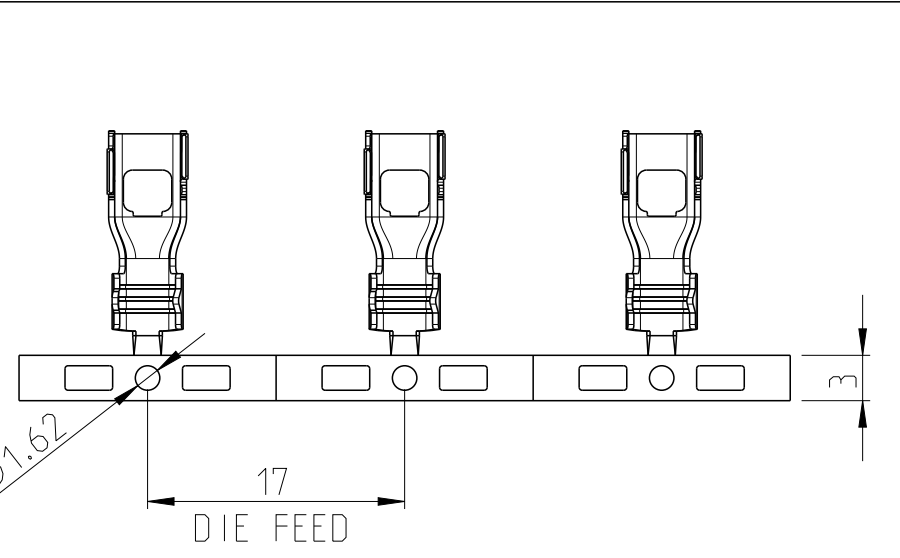
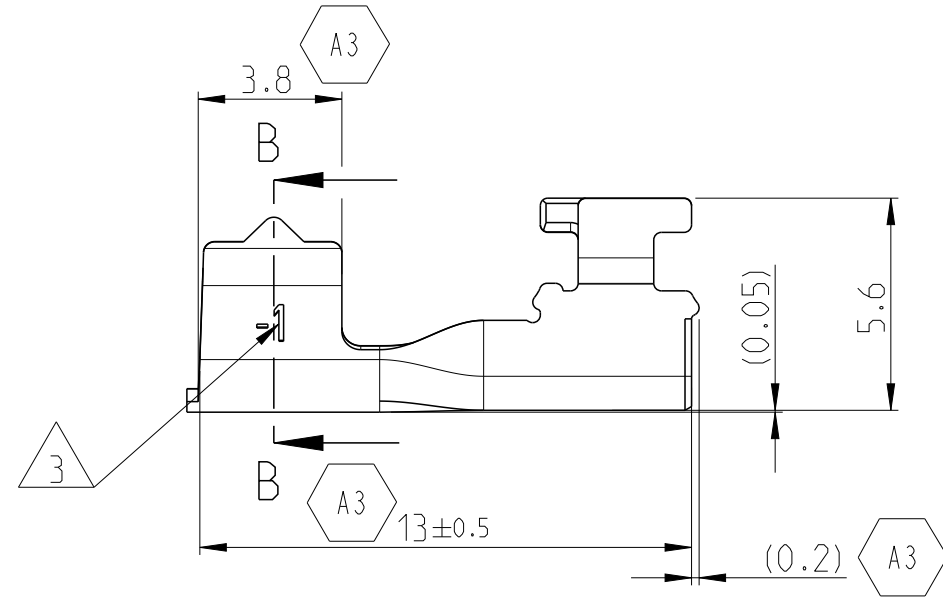
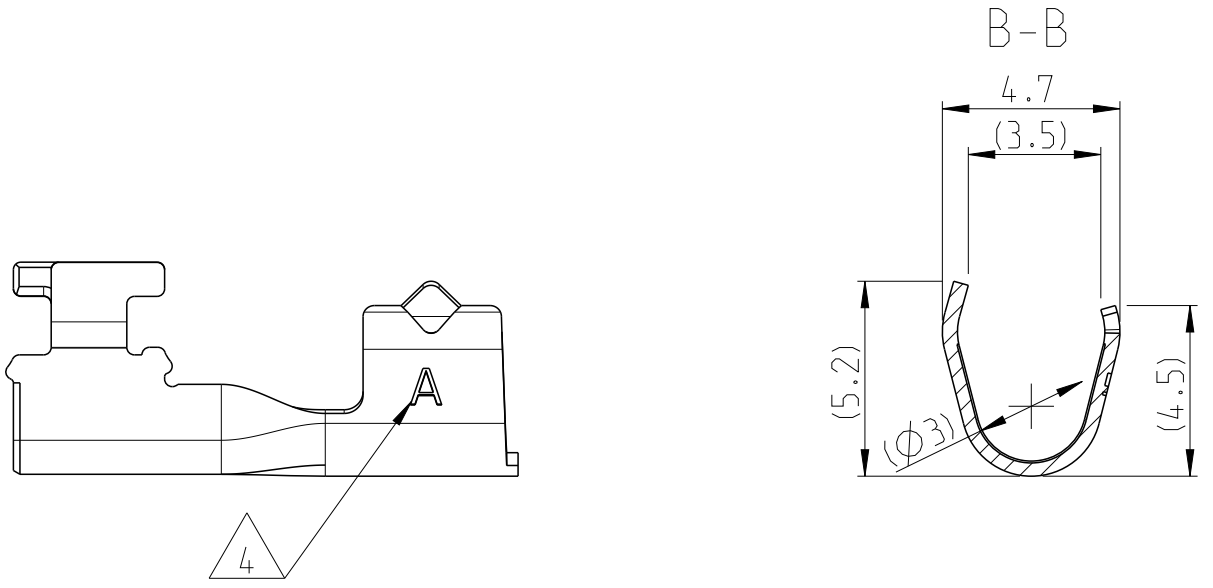
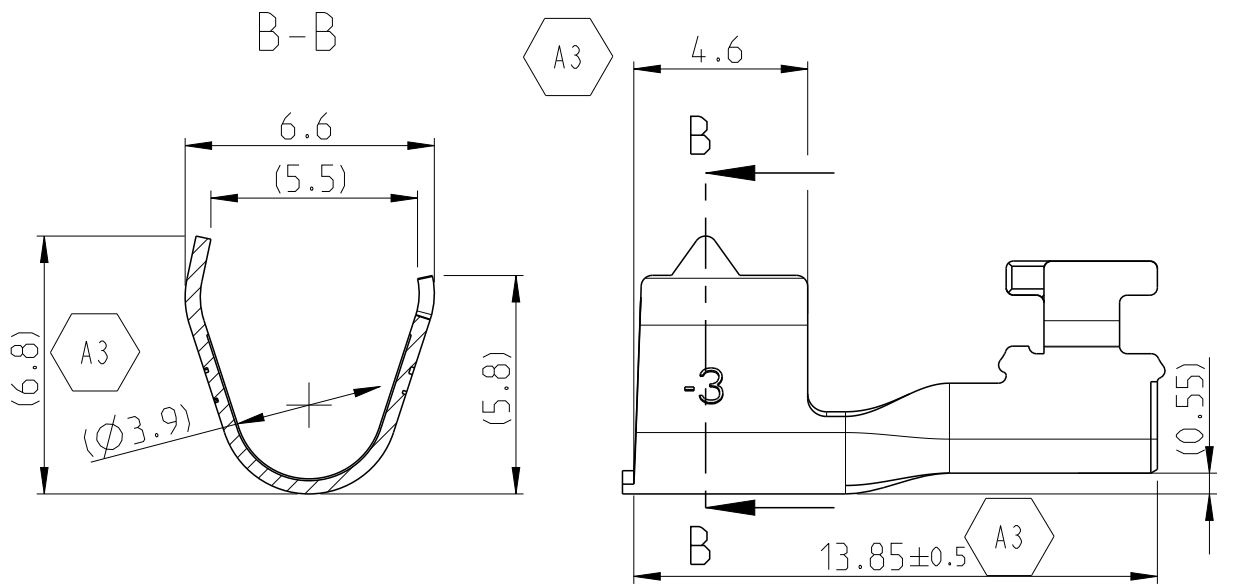
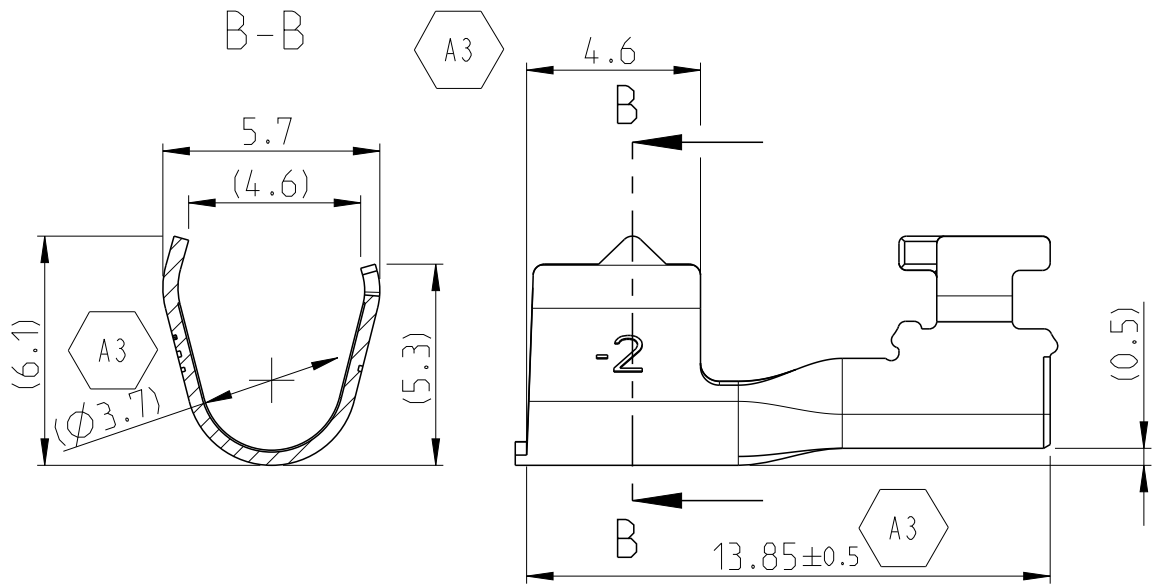


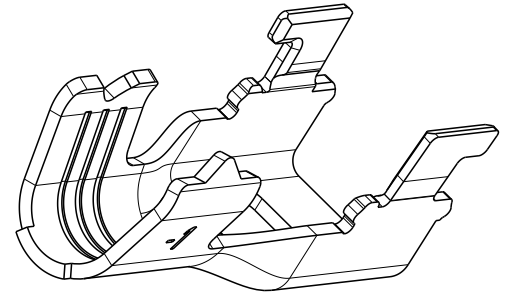
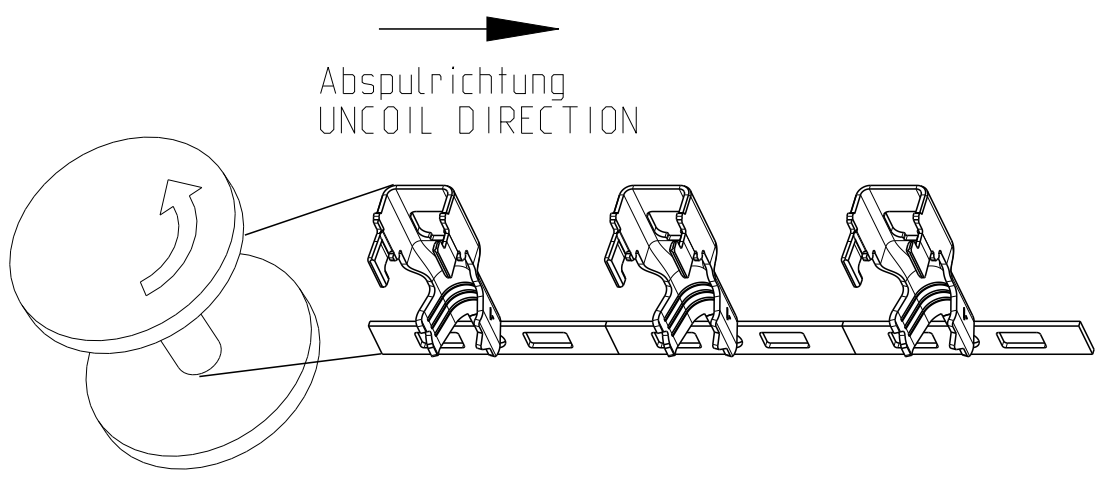
REVISIONS		DATE	DWN	APVD
P	LTR	DESCRIPTION		
A		New Drawing	21OCT2016	KIJ AK
A1		E-17-011574 - added Serial Parts	09AUG2017	RW AK
A2		E-20-002703 - corrected Note 5	26FEB2020	RW AK
A3		E-20-008801 - Dimension clarification	19JUN2020	RW AK

0-2302452-2 / 9-2302452-2

0-2302452-3 / 9-2302452-3



- Bemerkungen / NOTES:
- 0-2302452-1 wie gezeigt
0-2302452-1 AS SHOWN
 - Abmessungen in Klammern sind nur zur Information
DIMENSIONS IN BARCKETS ARE FOR INFORMATION OLNLY
 - Variantenindex.
INDEX OF VARIANT.
 - Anderungsindex
REVISION
 - Verpackung: Am Traegerstreifen auf Spule
PACKAGING: CARRIER-STRIP ON REEL



A2

DIN 9742 - TOLERANCES AND ACCEPTANCE CRITERIA
 DIN 9742 - Toleranzen und Abnahmekriterien

PART NO	REV	FOR CABLE TYPE	MATERIAL	FINISH	WEIGHT LP [g]
9-2302452-3	A	STP 0.13mm ²	CuSn6	TIN 1.0-3.0 μm (pre-plated)	0.53
9-2302452-2	A	UTP 0.35mm ² , with Ø4.0mm sheath			0.50
9-2302452-1	A	UTP 0.13mm ² , with Ø3.2mm sheath			0.42
0-2302452-3	A	STP 0.13mm ²	CuSn6	TIN 1.0-3.0 μm (pre-plated)	0.53
0-2302452-2	A	UTP 0.35mm ² , with Ø4.0mm sheath			0.50
0-2302452-1	A	UTP 0.13mm ² , with Ø3.2mm sheath			0.42

THIS DRAWING IS A CONTROLLED DOCUMENT. DIMENSIONING AND TOLERANCING PER GPS (ISO STANDARDS)		DWN J. Kießwetter 21OCT2016	 TE Connectivity	NAME Fixierelement f. MATenet Inserts FIXATION ELEMENT f. MATenet INSERTS		
DIMENSIONS: MASSEINHEITEN: (MM)		CHK R. Wuerker 01NOV2016		APVD A. Kettler 03NOV2016		
TOLERANCES UNLESS OTHERWISE SPECIFIED: ALLGEMEINTOLERANZEN		PRODUCT SPEC 108-94568		DRAWING NO ZEICHNUNGS-NR. C-2302452		
0 PLC ±0.2 1 PLC ±0.1 2 PLC ±0.1 3 PLC ± 4 PLC ± ANGLES/WINKEL ±2° FINISH/OBERFLAECHE/FARBE MATERIAL see table WEIGHT GEWICHT see table CUSTOMER DRAWING /KUNDENZEICHUNG		APPLICATION SPEC VERARBEITUNGSSPEZ. 114-94431		SIZE A2	RESTRICTED TO NUR FUER -	
		WEIGHT GEWICHT see table		CAGE CODE 00779	SCALE MASSSTAB 5:1	
		SHEET BLATT 1 OF 1		REV A3		

Mouser Electronics

Authorized Distributor

Click to View Pricing, Inventory, Delivery & Lifecycle Information:

[TE Connectivity:](#)

[2302452-1](#) [2302452-3](#)